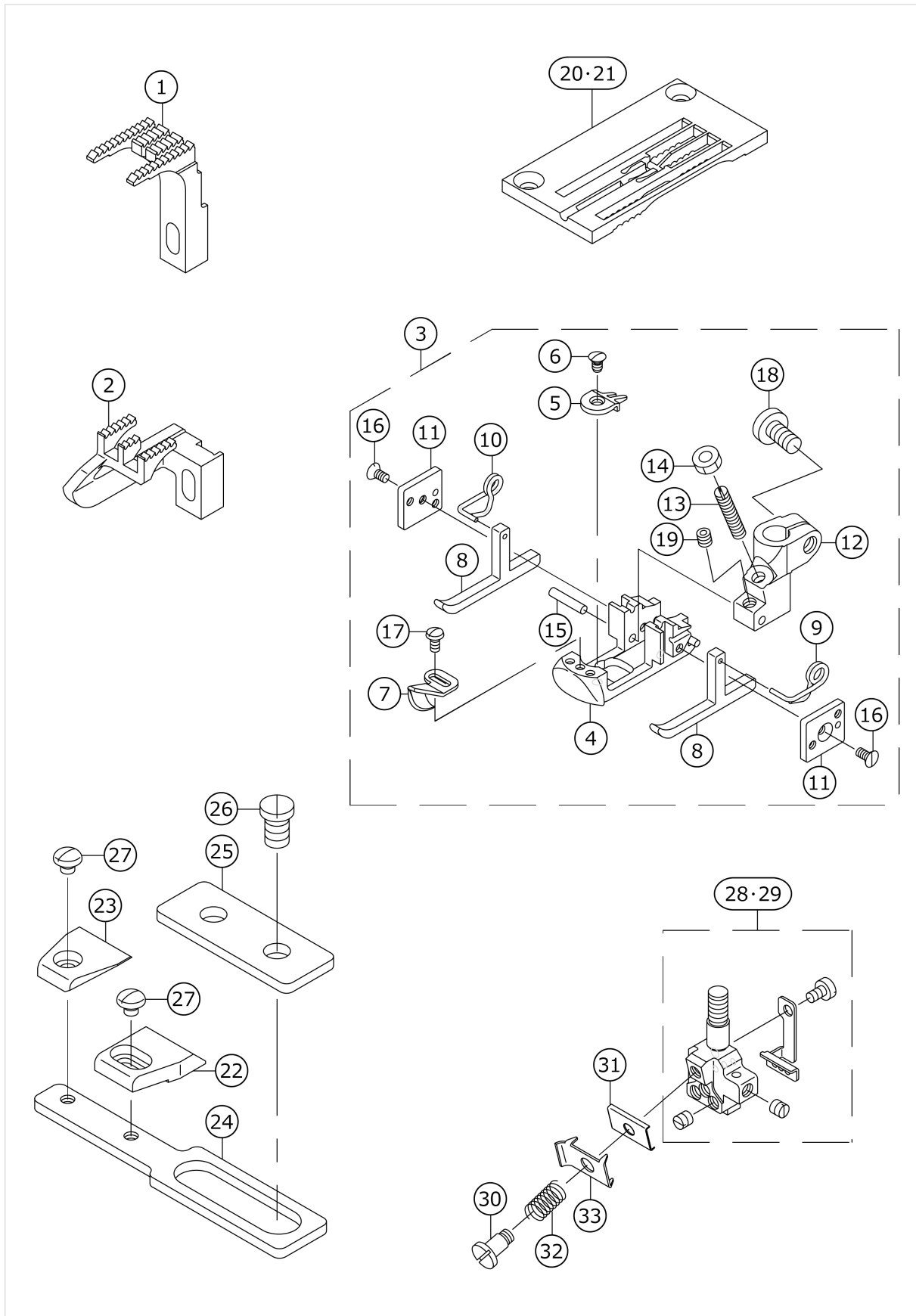


MF-7600-U03

MF-7000 SERIES (MF-7600-U03)



No.	品番	品名	備考	子部品	消耗品	個数
1	US0050305BT	MAIN FEED DOG				1.00
2	US0050326BR	DIFFERENTIAL FEED DOG				1.00
3	US50320BZ56	PRESSER FOOT ASM.				1.00
4	US0050330ET	PRESSER FOOT		*		1.00
5	30121008	STITCH TONGUE		*		1.00
6	30098008	SCREW		*		1.00
7	US0050330EJ	CLOTH GUIDE		*		1.00
8	US0050330EK	YIELDING SECTION		*		2.00
9	US0050330EL	SPRING,RIGHT		*		1.00
10	US0050330EM	SPRING,LEFT		*		1.00
11	US0050330EN	PRESSER FOOT GUIDE PLATE		*		2.00
12	US0050330EP	PRESSER FOOT HINGE		*		1.00
13	US0018C1476	SCREW		*		1.00
14	NM6030250SC	NUT M3X0.5		*		1.00
15	PH0200102C0	PARALLEL PIN		*		1.00
16	SM1020450TP	SCREW M2 L=4		*		2.00
17	US0018C1476	SCREW		*		1.00
18	SM7040800SL	SCREW		*		1.00
19	SM8030382TP	SCREW M3X0.5 L=3		*		1.00
20	US50324DE56	THROAT PLATE FOR COVERING	FOR B56			1.00
21	US50324DE64	THROAT PLATE FOR COVERING	FOR B64			1.00
22	US0050337AU	GUIDE,RIGHT(FLATTENING OUT)				1.00
23	US0050337AT	GUIDE,LEFT(FLATTENING OUT)				1.00
24	US0050383AA	GUIDE BRACKET				1.00
25	US0050337AF	GUIDE PLATE				1.00
26	30220107	SCREW				2.00
27	SS4080310SP	SCREW 1/8-44 L=3.4				2.00
28	US50318AM56	NEEDLE HEAD	FOR B56			1.00
29	US50318AM64	NEEDLE HEAD	FOR B64			1.00
30	SD0380551SL	HINGE SCREW D= 3.80 H= 5.5				1.00
31	US00050357V	THREAD PRESSER PLATE				1.00
32	US0050357AS	NEEDLE THREAD TENSION SPRING				1.00
33	US00050357Y	NEEDLE THREAD PRESSER PLATE				1.00

HOW TO MAKE USE OF THIS PARTS LIST

1.As to "#01" and "#02" refer to the "Note" given at the bottom of the respective pages.

2.Codes on the "Qty" column

- Each numeral indicates the number of parts required.
- "0.1" and "2.5" indicate the length (in meters) of the respective parts.

3.Parentheses mean that the corresponding part is a subpart that constructs an assembly part.

4.Dotted lines on the Figures indicate assembly parts.

1. リストページの# 0 1、# 0 2の印は、ページ下の"注記"の説明を参照下さい。
2. 数量欄の数字は、個数を表し、0. 1、2. 5等の数値は、長さ（単位メートル）を表します。
3. 数量欄の（ ）は、組部品を構成している子部品であることを意味します。
4. イラストページの-----枠は、組構成であることを意味します。